

V2634

V2644

V2664

- Peak Sine Force 26.7 kN
- Random Force rms 26.7 kN
- Velocity peak 1.52m/s
- Frequency range 2.6 kHz
- Max Payload 500kg
- Displacement 51mm
- Choice of tables 640mm  
440mm  
or 340mm
- Vertical isolation mounts
- Isolated trunnions
- Monobase with slip tables
- Air glides and guidance systems



The V26 has been proven to be a highly reliable, high performance shaker which is available in several configurations. The V26 offers a choice of three table sizes: 340mm for high acceleration testing, 440mm and 640mm for production testing. The V26 has found many applications, from automotive to testing jet engines to testing locomotive structures. Other applications have included avionics and consumer electronic components. Optional features include: automatic armature centering, economy field supply, vertical isolation mounts, isolated trunnions, air glides, chamber interfaces, and monobase systems for three axis testing.

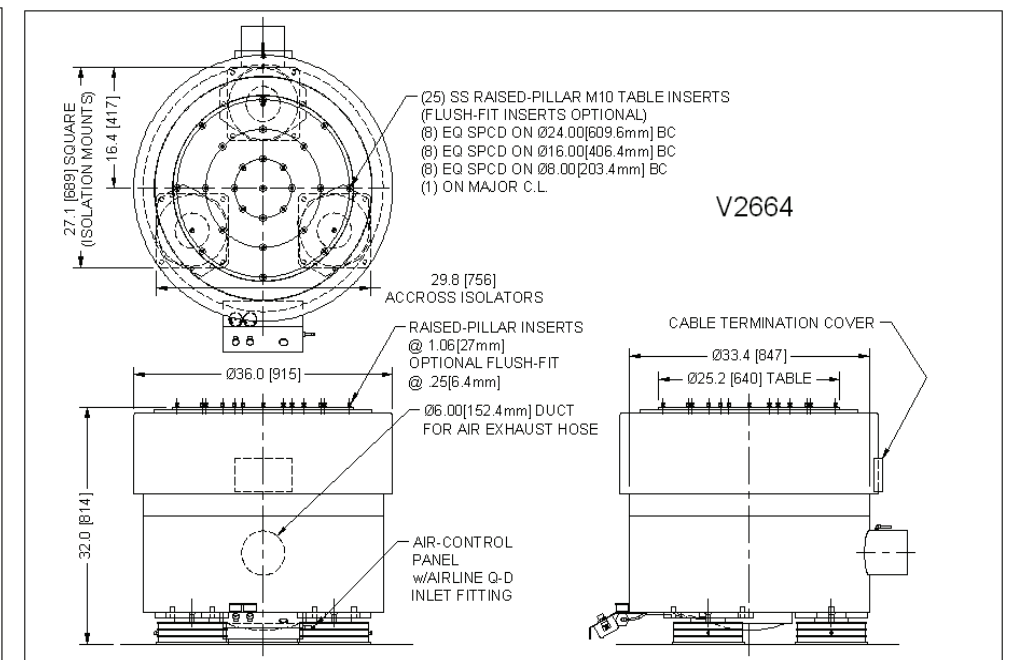
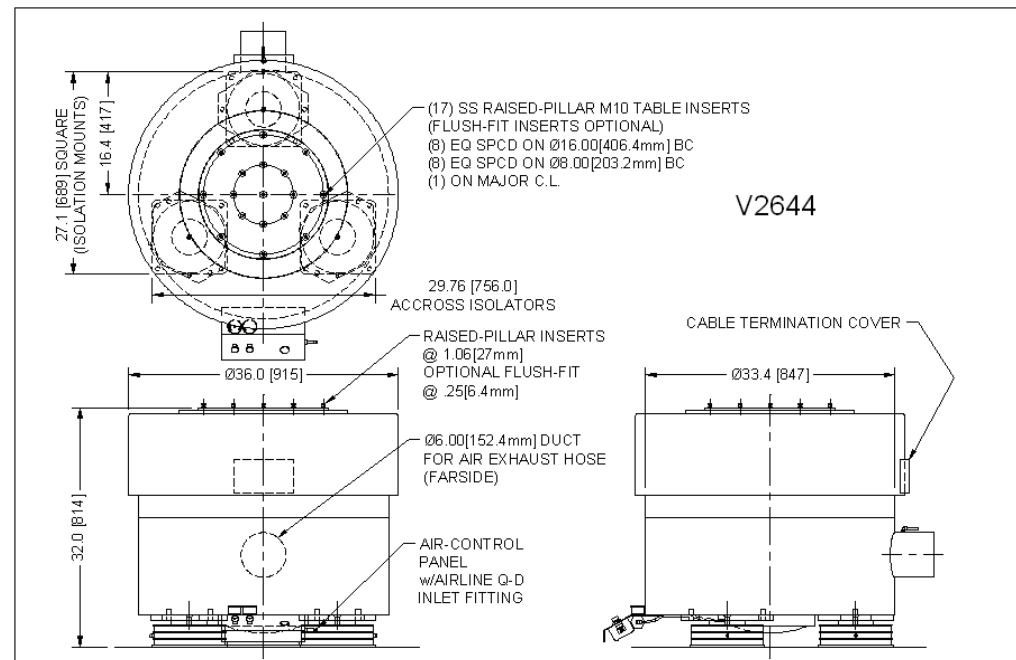
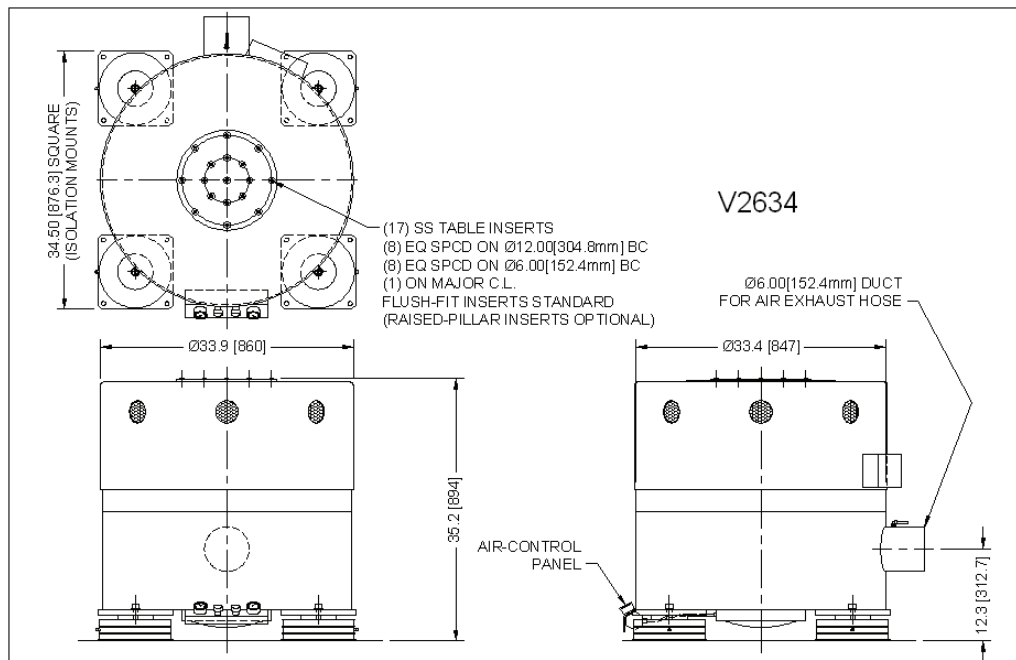
**SignalForce**  
**Shakers**

	Maximum Sine Force			Maximum Random Force			Maximum Shock Force*			Maximum Acceleration (Sine)		Maximum Velocity		Rated Travel Peak to Peak		Armature Diameter		Armature Mass		Insert Threads		Armature Resonance ±5%		Frequency Range		Static Payload Support		Shaker Body Mass		Stray Magnetic Field @ 25 mm above table		Heat Dissipation			Acoustic Noise @ 1m		Electrical Power Consumption
	lbf	N	kgf	lbf	N	kgf	lbf	N	kgf	g	m/s <sup>2</sup>	ips	mps	in.	mm	in.	mm	lbs.	kg	SAE	Metric	Hz	Min	Max	lbs	kg	lbs.	kg	mT	Gauss	Shaker	Amplifier	Blower	Amplifier	Blower	kVA	
V2634/DSA4-8k	2360	10500	1070	2248	10000	1020	7080	31500.0	3210	35.5	348.1	60	1.52	2.0	51	13.4	340	67	30.2	3/8-24	M10	2000	DC	3000	1100	500	4035	1830	<3	30.0	0.7	3	13.5	66	72	14	
V2634/DSA4-12k	3485	15500	1580	4069	18100	1846	10455	46500.0	4740	52.3	512.9	60	1.52	2.0	51	13.4	340	67	30.2	3/8-24	M10	2000	DC	3000	1100	500	4035	1830	<3	30.0	0.7	3	13.5	66	72	20	
V2634/DSA4-16k	4375	19450	1985	4373	19450	1983	13120	58350.0	5950	65.6	643.3	60	1.52	2.0	51	13.4	340	67	30.2	3/8-24	M10	2000	DC	3000	1100	500	4035	1830	<3	30.0	0.7	3	13.5	66	72	24	
V2634/DSA4-20k	6000	26690	2720	5000	22240	2268	18000	80065	8165	90	882.6	60	1.52	2.0	51	13.4	340	67	30.2	3/8-24	M10	2000	DC	3000	1100	500	4035	1830	<3	30.0	0.7	3	13.5	66	72	30	
V2644/DSA4-8k	2360	10500	1070	2248	10000	1020	7080	31500.0	3210	26.8	262.8	60	1.52	2.0	51	17.3	440	88	40	3/8-24	M10	2300	DC	3000	1100	500	4035	1830	<3	30.0	0.7	3	13.5	66	72	14	
V2644/DSA4-12k	3485	15500	1580	4069	18100	1846	10455	46500.0	4740	39.5	387.4	60	1.52	2.0	51	17.3	440	88	40	3/8-24	M10	2300	DC	3000	1100	500	4035	1830	<3	30.0	0.7	3	13.5	66	72	20	
V2644/DSA4-16k	4375	19450	1985	4373	19450	1983	13120	58350.0	5950	49.6	486.4	60	1.52	2.0	51	17.3	440	88	40	3/8-24	M10	2300	DC	3000	1100	500	4035	1830	<3	30.0	0.7	3	13.5	66	72	24	
V2644/DSA4-20k	6000	26690	2720	5000	22240	2268	18000	80065	8165	68	666.9	60	1.52	2.0	51	17.3	440	88	40	3/8-24	M10	2300	DC	3000	1100	500	4035	1830	<3	30.0	0.7	3	13.5	66	72	30	
V2664/DSA4-8k	2360	10500	1070	2248	10000	1020	7080	31500.0	3210	15.7	154.0	60	1.52	2.0	51	25.2	640	150	68	3/8-24	M10	2500	DC	3000	1100	500	4035	1830	<3	30.0	0.7	3	13.5	66	72	14	
V2664/DSA4-12k	3500	15570	1585	3000	13344	1361	10500	46704.0	4760	23.3	228.5	60	1.52	2.0	51	25.2	640	150	68	3/8-24	M10	2500	DC	3000	1100	500	4035	1830	<3	30.0	0.7	3	13.5	66	72	20	
V2664/DSA4-16k	5000	22240	2270	4000	17792	1814	15000	66720.0	6805	33.3	326.6	60	1.52	2.0	51	25.2	640	150	68	3/8-24	M10	2500	DC	3000	1100	500	4035	1830	<3	30.0	0.7	3	13.5	66	72	24	
V2664/DSA4-20k	6000	26690	2720	6000	26688	2721	18000	80065	8165	40	392.3	60	1.52	2.0	51	25.2	640	150	68	3/8-24	M10	2500	DC	3000	1100	500	4035	1830	<3	30.0	0.7	3	13.5	66	72	30	

\*Note- At 3 mSec

# SignalForce

Discover more at [www.dataphysics.com](http://www.dataphysics.com)



# Options

- Air isolated mounts for vertical testing only. Resonance below 5Hz
- Rubber isolation mountings for vertical only testing. Resonance below 5Hz
- Fully isolated trunnions to support both vertical and horizontal testing. Resonance below 5Hz
- Air glides to provide mobility when shakers are used in conjunction with climatic chambers.
- V-groove wheels and rails to provide accurate guidance below chambers.
- Monobase systems to provide three axis testing with slip tables
- Motorized guidance to accurately maneuver monobase systems below chambers.
- Head expanders
- Fixtures
- Thermal barriers
- Acoustic enclosures
- Weatherproof enclosures for cooling blowers
- Economy field supply to reduce power consumption

## Armature Insert Patterns

Table Dia. mm	340	440	640
Center insert	1	1	1
152.4mm PCD	8	-	-
203.2mm OCD	-	8	8
304.8mm PCD	8	-	-
406.4mm PCD	-	8	8
609.6mm PCD	-	-	8

Alternative patterns may be supplied on request



Discover more at [www.dataphysics.com](http://www.dataphysics.com)

### Data Physics Corporation

2025 Gateway Place, Suite 260, San Jose, CA 95110-1015  
TEL: (408) 437-0100 FAX: (408) 437-0509

