

Convection & Forced Air Cooled Shakers

V2

V4

V20

V55

V100

- Shakers from 2lbf (9N) to 225lbf (1kN)
- 9 variants
- Good axial and torsional stability
- Special suspension options



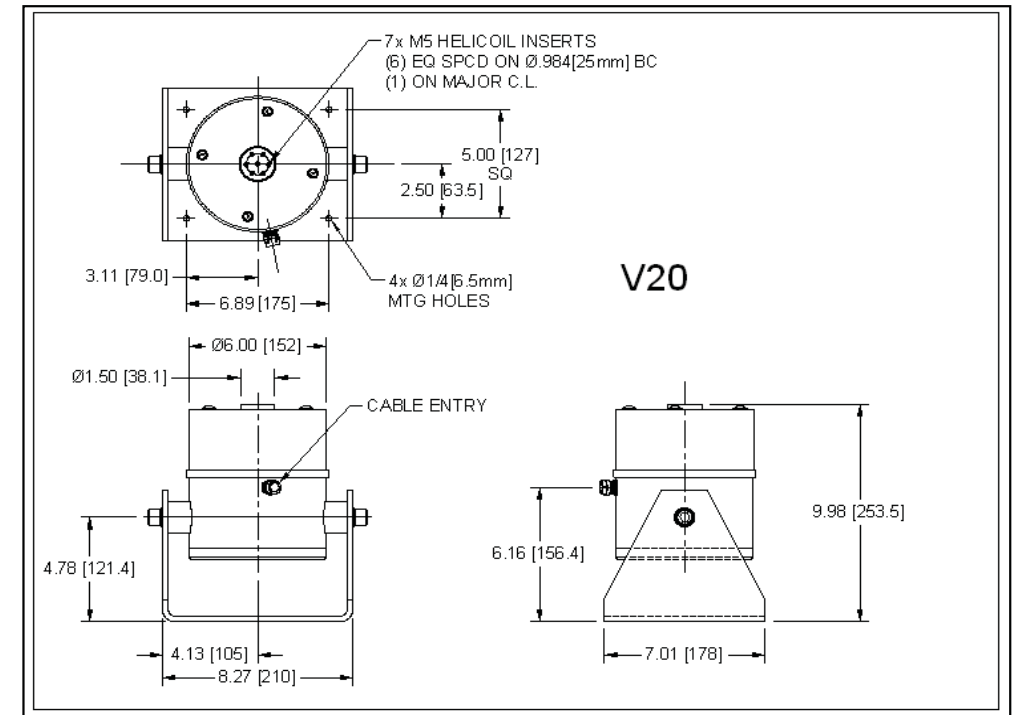
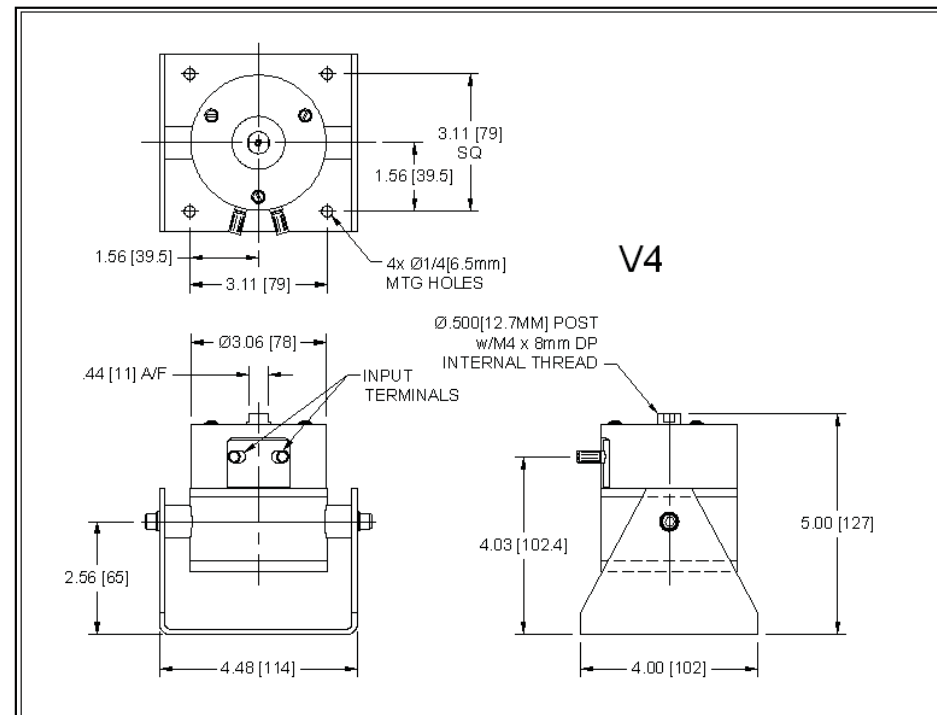
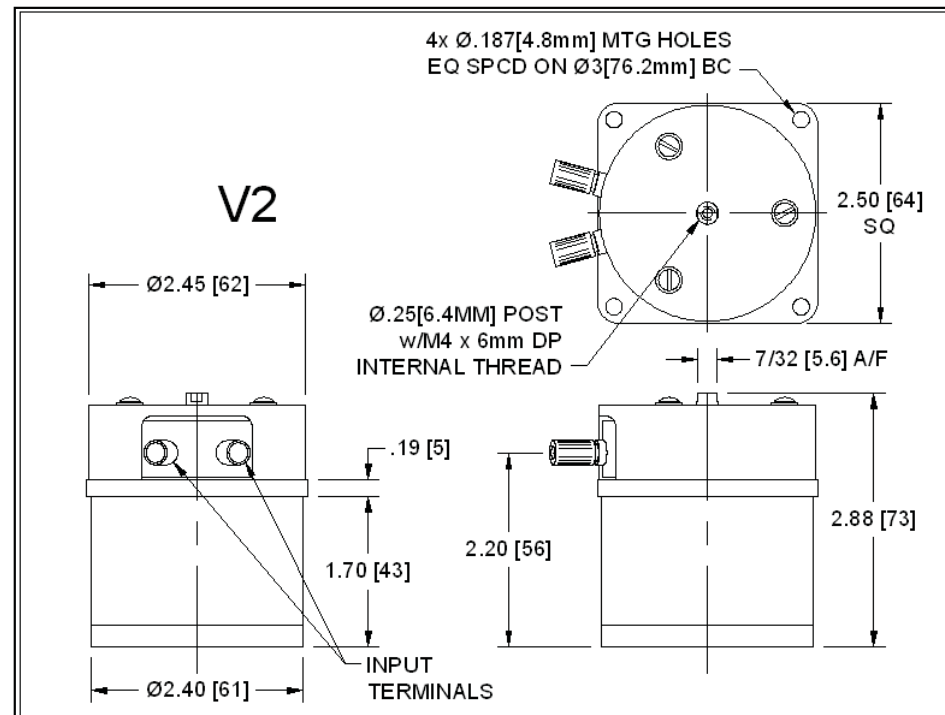
Data Physics' range of small shakers are in use all over the world. Some have even been taken into space for special experiments under zero gravity conditions. Applications have included medical research, electronic component testing, materials analysis, automotive component testing, tyre balancing and actuator applications for antenna positioning using low axial stiffness special suspension units. The V20, V55 and V100 may also be supplied in monobase structures for combined and horizontal testing.

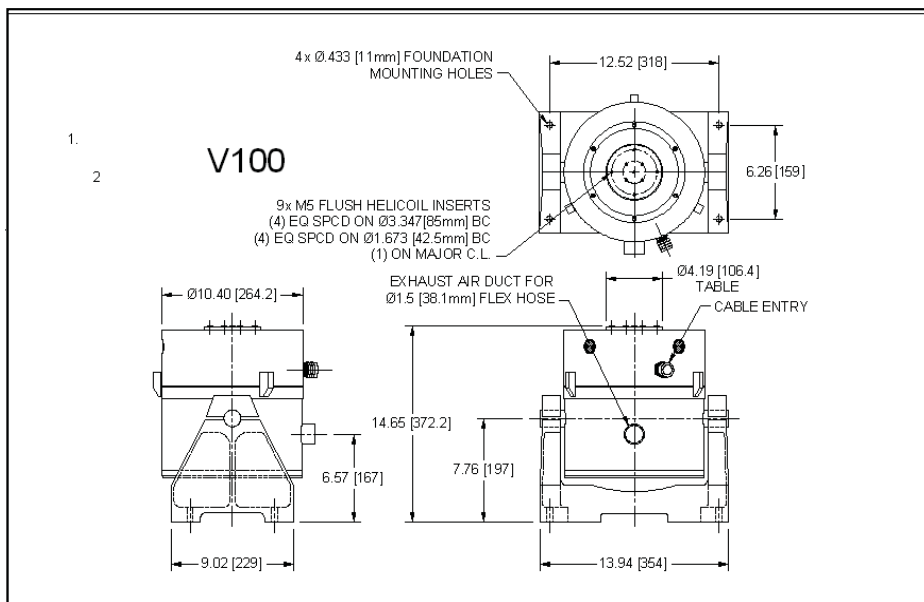
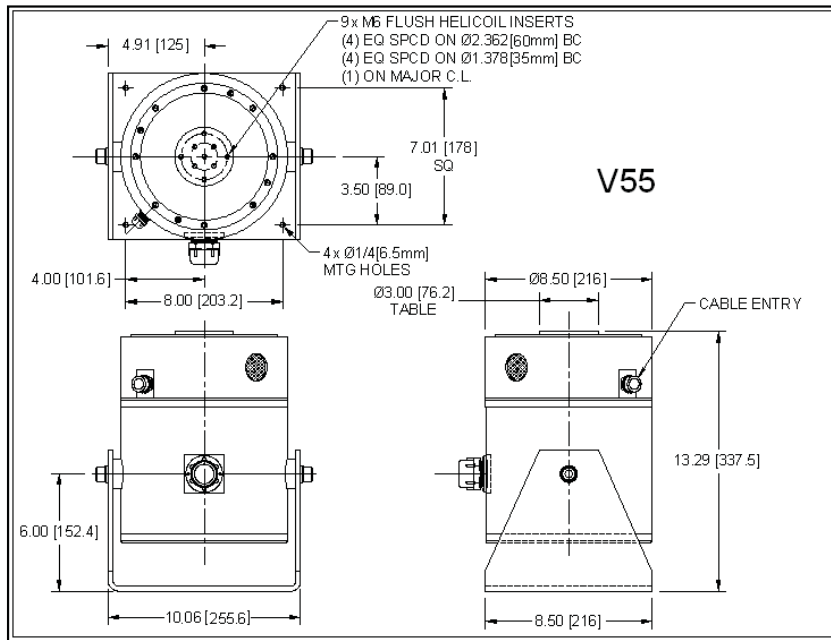
SignalForce
Shakers

	Maximum Sine Force			Maximum Random Force			Maximum Shock Force*			Maximum Acceleration (Sine)		Maximum Velocity		Rated Travel Peak to Peak		Armature Diameter		Armature Mass		Insert Threads		Armature Resonance $\pm 5\%$	Frequency Range		Axial Stiffness		Shaker Body Mass**		Electrical Power Consumption (kVa)
	lbf	N	kgf	lbf	N	kgf	lbf	N	kgf	g	m/s ²	ips	mps	in.	mm	in.	mm	lbs.	kg	SAE	Metric	Hz	Minimum	Maximum	lbf/in.	kgf/mm	lbs.	kg	
GW-V2/PA30E	2.0	9.0	0.9	0.7	3.0	0.3	3.0	13.5	1.4	91	892.4	29	0.7	0.1	2.5	Spigot	0.02	0.01	-----	M4	11500	DC	12000	17.9	0.32	2	0.9	0.10	
GW-V4/PA30E	4.0	17.8	1.8	1.3	5.9	0.6	6.0	26.7	2.7	91	892.4	59	1.5	0.2	5.0	Spigot	0.04	0.02	#10-32	M4	12000	DC	14000	25.2	0.45	4	1.8	0.10	
GW-V20/PA30E	11.9	53.0	5.4	4.0	17.6	1.8	17.9	79.5	8.1	32	313.8	45	1.1	0.4	10.0	1.5	38.0	0.37	0.17	#10-32	M5	12000	DC	14000	63.8	1.14	44	20	0.10
GW-V20/PA100E	22.5	100.0	10.2	7.4	33.0	3.4	33.7	150.0	15.3	60	588.4	59	1.5	0.4	10.0	1.5	38.0	0.37	0.17	#10-32	M5	12000	DC	14000	63.8	1.14	44	20	0.32
GW-V20/PA300E	34.8	155.0	15.8	13.0	58.0	5.9	52.3	232.5	23.7	95	931.6	70	1.8	0.4	10.0	1.5	38.0	0.37	0.17	#10-32	M5	12000	DC	14000	63.8	1.14	44	20	0.72
GW-V55/PA100E	31.9	142.0	14.5	11.2	50.0	5.1	47.9	213.0	21.7	29	283.4	32	0.8	0.5	12.7	3.0	76.2	1.10	0.50	1/4-28	M6	7000	DC	8000	100.2	1.79	94	43	0.32
GW-V55/PA300E	69.7	310.0	31.6	24.7	110.0	11.2	104.5	465.0	47.4	64	627.6	45	1.1	0.5	12.7	3.0	76.2	1.10	0.50	1/4-28	M6	7000	DC	8000	100.2	1.79	94	43	0.72
GW-V55/DSA1-1K	99.8	444.0	45.3	36.0	160.0	16.3	211.6	941.3	96.0	91	892.4	60	1.5	0.5	12.7	3.0	76.2	1.10	0.50	1/4-28	M6	7000	DC	8000	100.2	1.79	94	43	1.58
V100/DSA1-1K	224.8	1000	102.0	119.8	533	54.4	476.6	2120.0	216.2	125	1225.8	65	1.7	0.5	12.7	4.0	102	1.70	0.8	#10-32	M5	6850	DC	7000	170.2	3.04	154	70	2.70

*Note- At 3 mSec
 ** Note- Includes Trunnion

SignalForce





Options

- Beryllium copper spiders for V2 and V4 shakers to reduce axial stiffness
- Trunnions for models V4, V20, V55 and V100
- Three axis testing configurations for models V20, V55 and V100
- Metric & Imperial table threads



Discover more at www.dataphysics.com

Data Physics Corporation

1741 Technology Drive, Suite 260, San Jose, CA 95110

TEL: (408) 437-0100 FAX: (408) 437-0509

